



## **Pass Box**

### **Description:**

Pass box is an auxiliary equipment of the clean room. It is mainly used for the transfer of small items between the clean area and the clean area or between the clean area and the non-clean area, so as to reduce openings in the clean room and reduce the pollution to the clean area.

Air shower pass box has blower fan and HEPA filter , which can remove the dust from the goods or materials, so it can more effectively prevent the convection of air inside and outside, and the transferred items enter the clean area after the blowing , which reduces the degree of contamination in the clean area and can effectively prevent the conveyed items from carrying dust. Particles enter the clean room.

### **Feature:**

1. Material for casing: White powder coated steel for outside and stainless steel inside, or full stainless steel for main body.

Window: transparent acrylic sheet, which is transparent, light, non-fragile.

2. Lock type:mechanical interlocked or electric- magnetic interlocked.

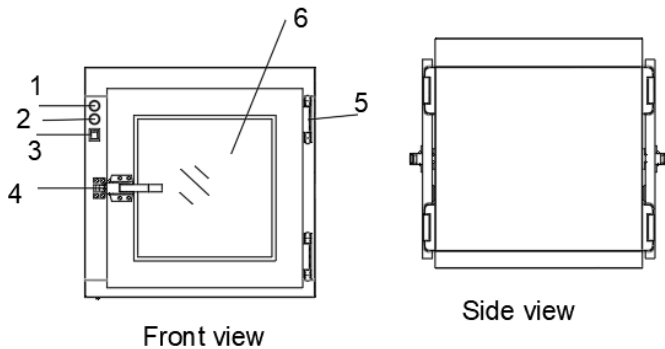
3. EVA gasket on the doors , which has good sealing, and avoiding to scratch the surface of steel, keep good appearance.

### **Optional Accessory:**

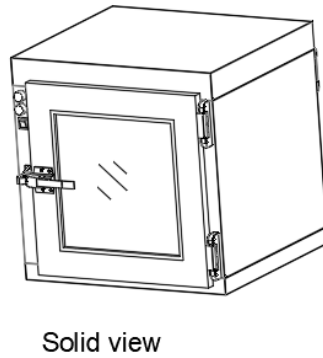
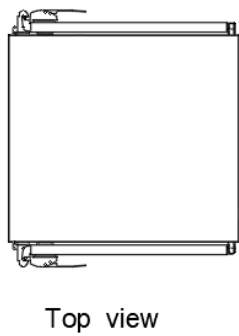
- Power coated steel or stainless steel
- mechanic interlocked or electric- magnetic interlocked.
- Indicator light for door opening state
- UV Sterilizer lamp
- Interphone



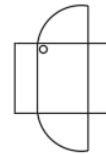
**Drawing**



1. Indicator light
2. Buzzer
3. Switch for UV light
4. Handle
5. Hinge
6. Window



**Door opening**



**Standard sizes and specifications:**

Pass box	ZS-CC-500	ZS-CC-600	ZS-CC-800
External size (W x D x H) mm	685x560x590	785x660x690	785x860x890
Inner size (W x D x H) mm	500x500x500	600x600x600	800x800x800
Lock type	Mechanical interlocked		
Remarks	( If magnetic interlocked, external height add more 30MM )		

**Customized sizes can be accepted**